

Autex Industries Ltd
 702-718 Rosebank Rd
 Private Bag 19988
 Avondale 1746, Auckland
 New Zealand
 Freephone **0800 428 839**
 Phone **+64 9 828 9179**
 Fax **+64 9 828 5810**
www.autex.co.nz

Autex Pty Ltd
 166 Bamfield Road
 PO Box 5099
 West Heidelberg, Melbourne
 VIC 3081, Australia
 Freephone **1800 678 160**
 Phone **+61 3 9457 6700**
 Fax **+61 3 9457 1020**
www.autex.com.au

Autex Acoustics Ltd
 Unit 1 Alchemy Industrial Est.
 Platinum Court, Alchemy Way
 Liverpool, L33 7XN
 United Kingdom
 Phone **+44 151 294 3236**
 Fax **+44 151 546 0863**
www.autexacoustics.co.uk

Autex Acoustics LLC
 California
 USA
 Phone **+1 805 407 9256**
 Fax **+1 805 457 8932**
www.autexacoustics.com

ETCH DECORATIVE FABRIC



ETCH™

DECORATIVE FABRIC

Etch is a visual layer of expression, a wall fabric combining design, colour and texture. Available in a palette of 28 colours, choose from 15 standard patterns or Etch your own custom design.

Etch is suited for overlaying directly to your chosen surface or choose to incorporate one of Autex's acoustic backing options to provide a selectable range of acoustic absorption.

Etch is a decorative, functional and durable interior finish suitable for commercial offices, theatres, libraries, retail, hospitality and education interiors.

Etch represents Autex and our commitment to innovation; Etch, create great space.

APPLICATIONS

- Decorative and functional wallcovering for education, commercial offices, theatres, libraries, retail, and hospitality sectors
- Custom cut and pattern design available
- Use in conjunction with other Autex Interior Acoustic products for a complete interior solution

Key Features and Benefits

- Use alone as a wallcovering or combine with Autex Interior Acoustic products for a high performance sound absorbing solution

- Design flexibility with over 28 colour choices
- Limitless branding and design possibilities with in-house custom cutting
- Light-weight and easy to handle
- Made from 100% polyester fibre without chemical binders and certified low VOC
- Manufactured using a minimum of 90% post-consumer recycled material
- Highly durable providing long-term stability and performance
- Safe, non-toxic, non-irritant and non-allergenic
- Manufactured under ISO 9001 and ISO 14001 Quality and Environmental Management Systems
- Does not contain any Red List materials *

SPECIFICATION:

Roll 3mm (nom.) depth, colour (L),
Fire Rating ISO 9705: Classification:
Group 1-S, AS ISO 9705 – 2003
Classification: Group 1, EN13501-1:2007+A1:
2009: B - s1, d2

Install as per Autex recommendations.

If Etch is to be specified for use other than as a wallcovering, please seek guidance from your Autex Account Manager.

PRODUCT SPECIFICATIONS

Product Name	Etch
Composition	100% Polyester Fibre (PET)
Drop Width	1.3m
<small>Other widths are available on request, minimum order quantity applies</small>	
Thickness	3-4mm
Weight	Typically 400gsm

INSTALLATION

Install as per Autex recommendations.

FASTNESS TO LIGHT

Vertiface® is suitable for indoor use only and has been tested to the following standard:
ISO 105-B02-1994 (Grey Scale 1-5)
Light Fastness Rating: 3

ACOUSTIC PERFORMANCE

Etch can be paired with other Autex Interior Acoustic products to create your desired acoustic performance. Please speak to your Autex Account Manager for guidance and options.

LIGHT REFLECTIVE VALUES BY COLOUR

Sanz	35.81	Avocado	10.87
Lime	28.98	Blush	10.30
Azure	24.19	Sage	8.99
Jade	21.98	Blazing Red	7.85
Porcelain	21.64	Raspberry	7.64
Fawn	20.30	Cinder	5.07
Granny Smith	19.72	Octane	4.78
Stonewash	18.94	Phantom	3.88
Simba	17.56	Theatre	3.34
Brilliant Orange	15.31	Stately	3.24
Spearmint	13.32	Charcoal	3.17
Calypso	12.66	Lightsout	2.61
Electric Blue	12.15	Ink	2.55
Koala	11.86	Noir	1.16

FIRE RATINGS

ISO 9705: 1993
Classification: Group 1-S
Smoke Production Rate: <5.0m²/s
As required by NZBC C/VM2

AS ISO 9705 - 2003

Classification: Group 1
(SMOGR_{ARC}): <100m²/s²
As required by BCA C1.10
FI 4906 dated 11th July, 2012

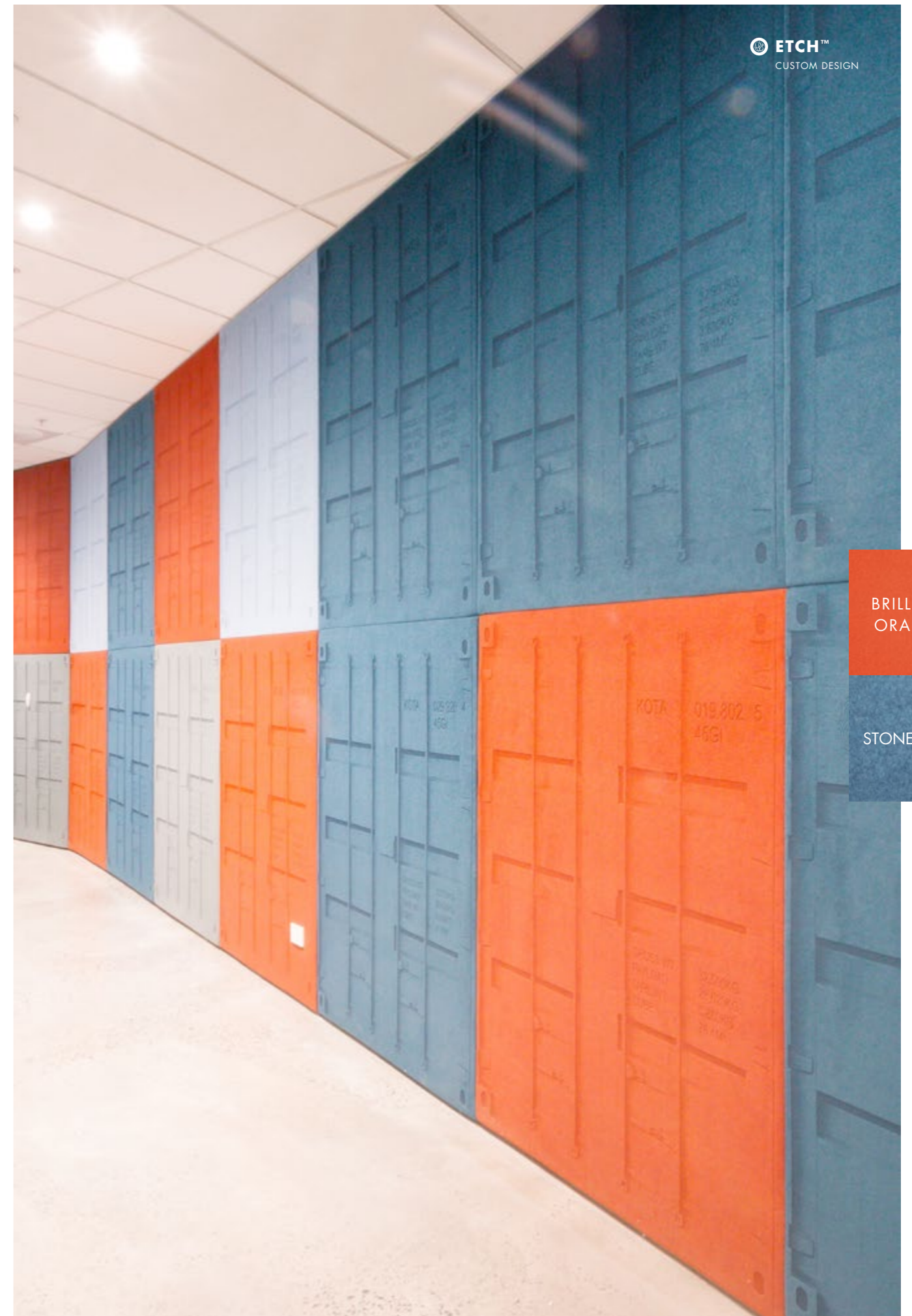
EN13501-1:2007+A1:2009

B - s1, d2
WF 336910 dated 25th February, 2014

VOC EMISSIONS

Autex polyester has been tested by Cetec Pty Ltd (Report: CV080408) for chemical emission and is classified as low VOC.

VOC concentration: 0.01 mg/m³



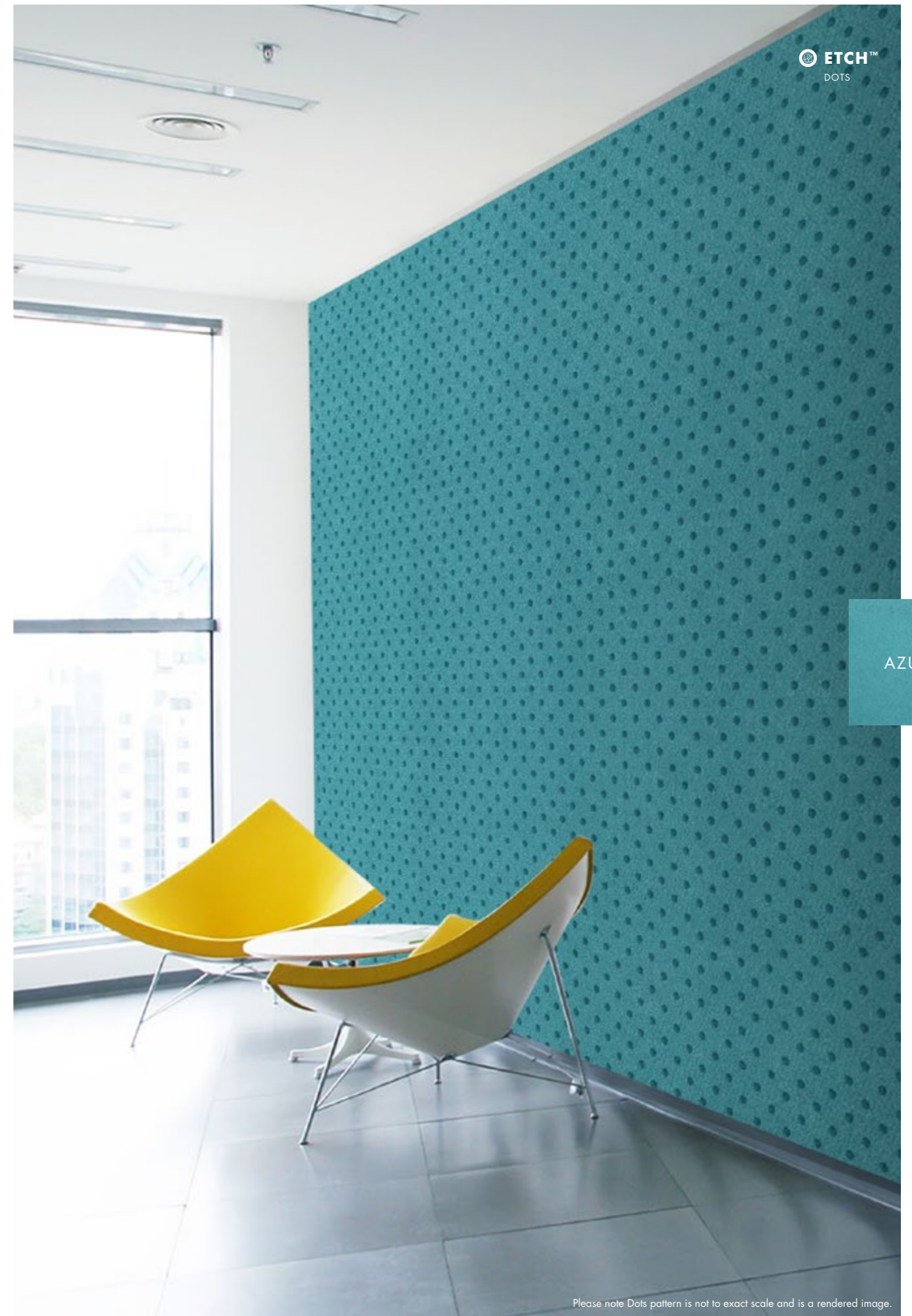
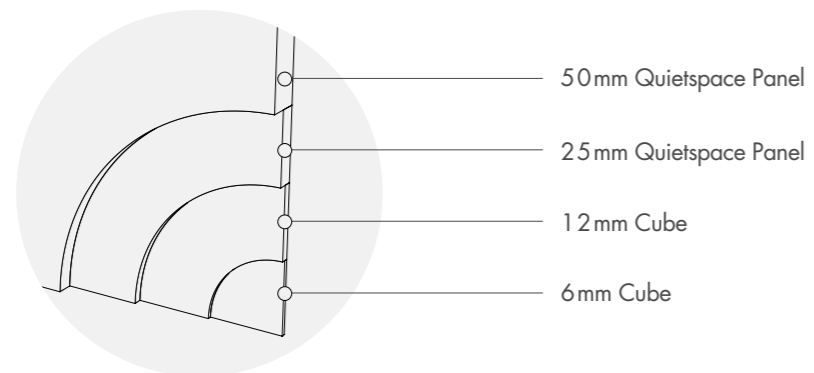
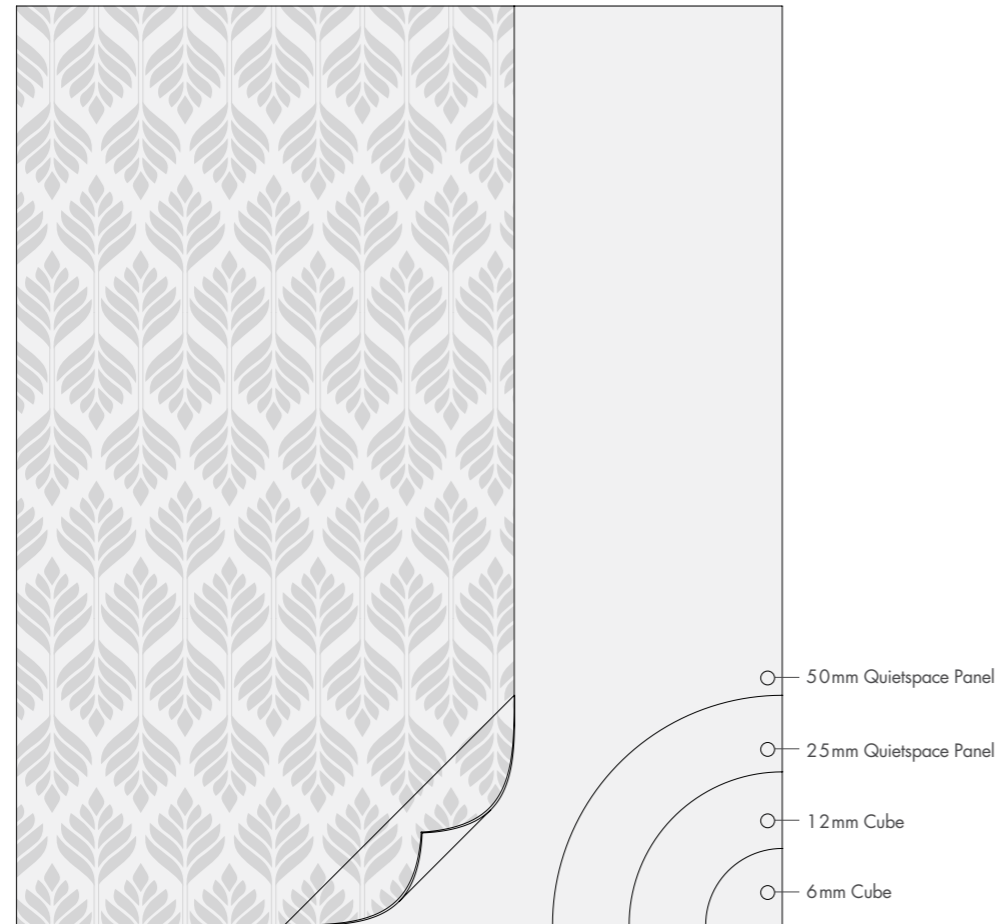
BRILLIANT
ORANGE

STONEWASH

OCTANE



PICK YOUR **BACKING**



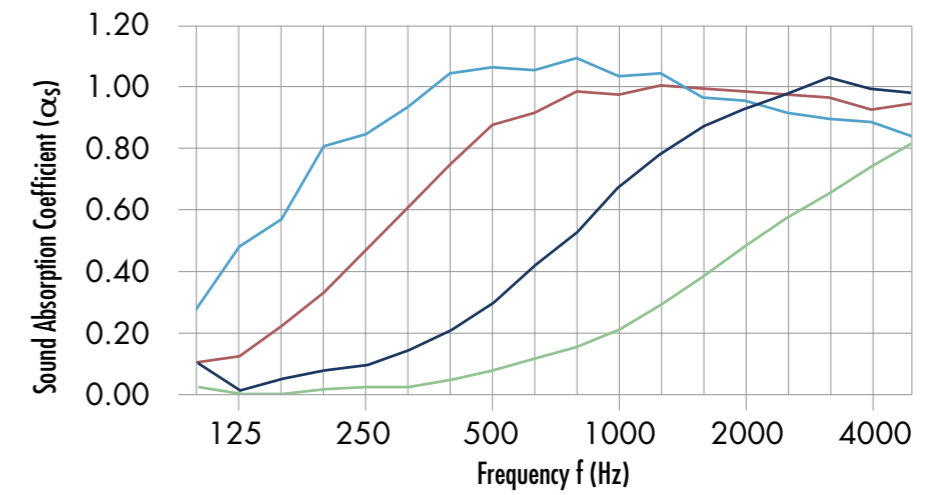
Please note Dots pattern is not to exact scale and is a rendered image.



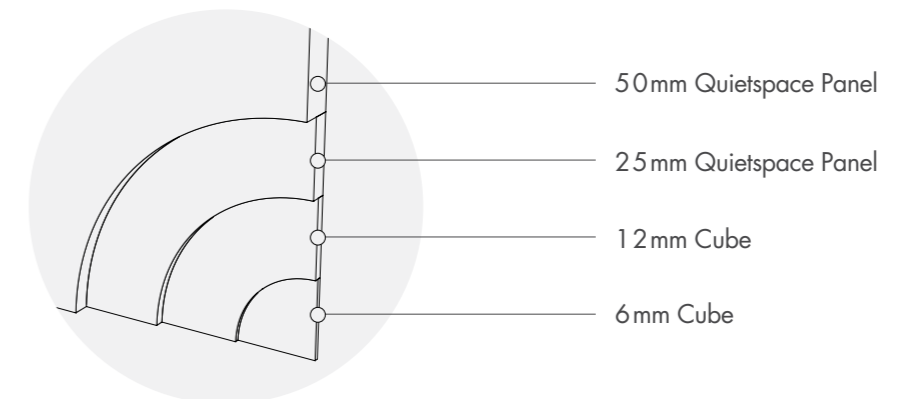
Please note Burst pattern is not to exact scale and is a rendered image.

PICK YOUR BACKING

Acoustic testing to ISO 354. University of Auckland Testing Service Report
 25mm Test: T0712. 50mm Test: T0712-13. 75mm Test: T1409-5. 100mm Test: T1409-3.
 Cube 6mm - Test No. T0712, 12mm - Test No. T07123



Frequency (Hz)	125	250	500	1000	2000	4000	NRC
6mm Cube	0.00	0.02	0.07	0.20	0.46	0.71	0.20
12mm Cube	0.00	0.08	0.28	0.64	0.89	0.96	0.45
25mm Quietspace Panel	0.12	0.47	0.88	0.98	0.99	0.93	0.85
50mm Quietspace Panel	0.48	0.85	1.07	1.04	0.96	0.89	1.00



PICK YOUR
PATTERN



STITCH



DOTS



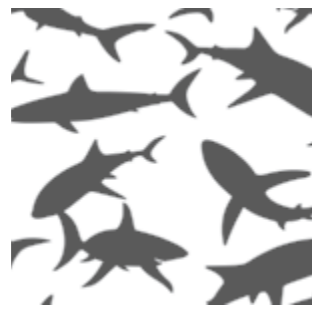
PINSTRIPES



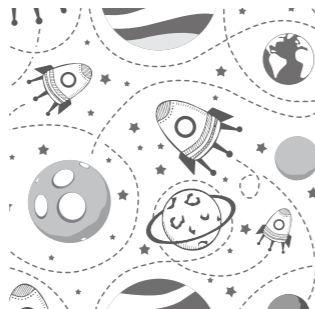
HARLEQUIN



ZOO



JAWS

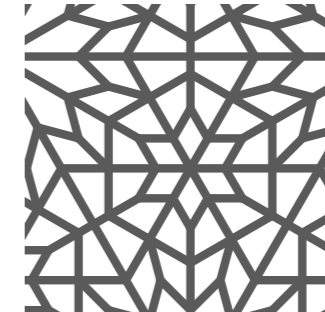


COSMIC



SCHOOL DAYS

PICK YOUR
PATTERN



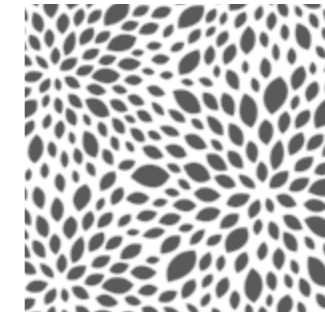
MOSAIC



TROPICS



BAROQUE



BURST



ALPHABET SOUP



FLAMINGO



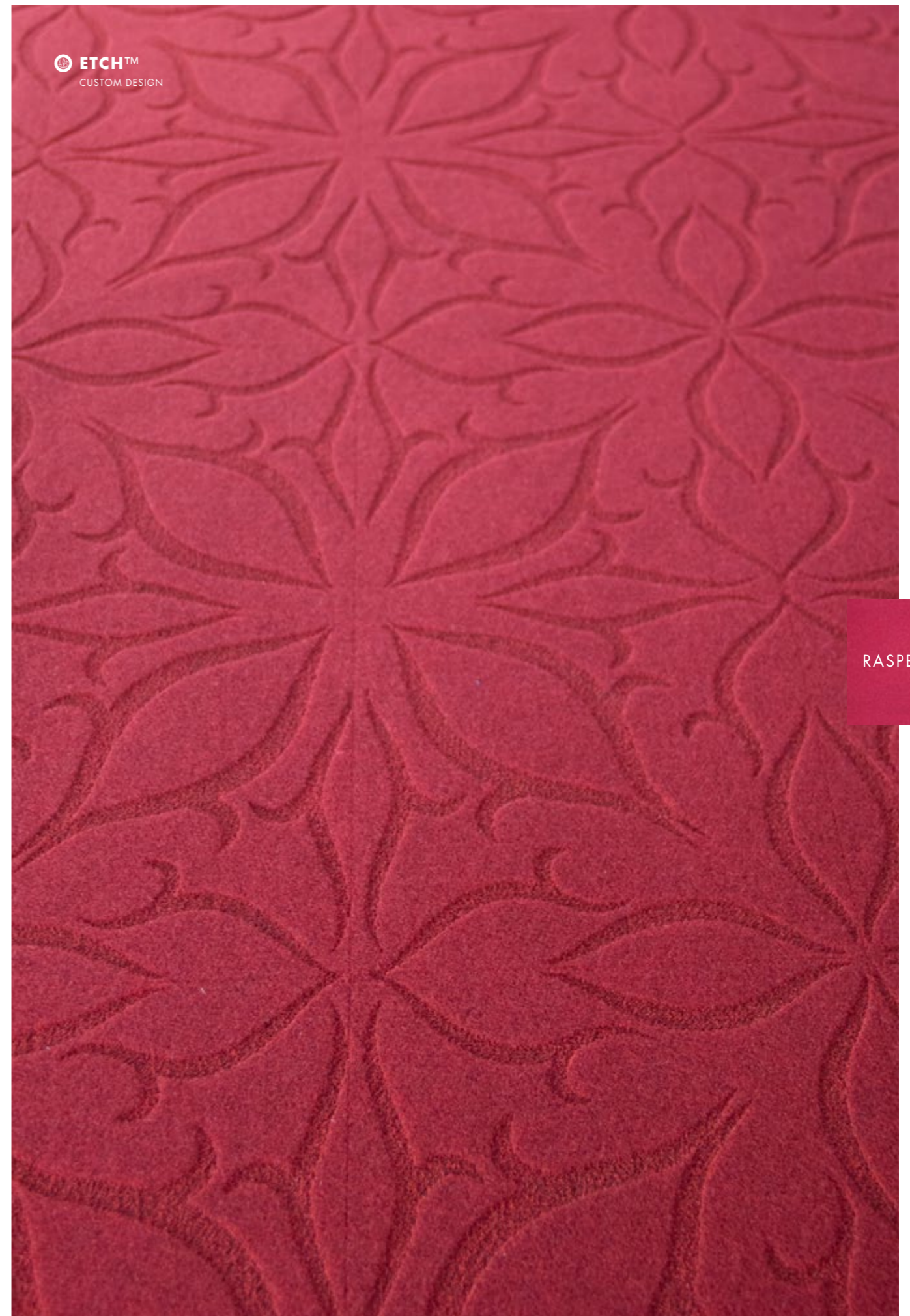
BARLEY

AUTEX



PICK YOUR COLOUR

RASPBERRY	BLAZING RED	BRILLIANT ORANGE
PHANTOM	THEATRE	SIMBA
BLUSH	CINDER	SANZ
PORCELAIN	KOALA	FAWN
NOIR	LIGHTSOUT	AUTEX 



ELECTRIC
BLUE

PICK YOUR **COLOUR**

WASABI

LIME

JADE

AVOCADO

SPEARMINT

GRANNY
SMITH

SAGE

AZURE

ELECTRIC
BLUE

OCTANE

CALYPSO

ATLANTIS

STATELY

INK

AUTEX 